

NEW

3-BAND CW Laser

UV, Visible & IR Available from One Unit

Preliminary

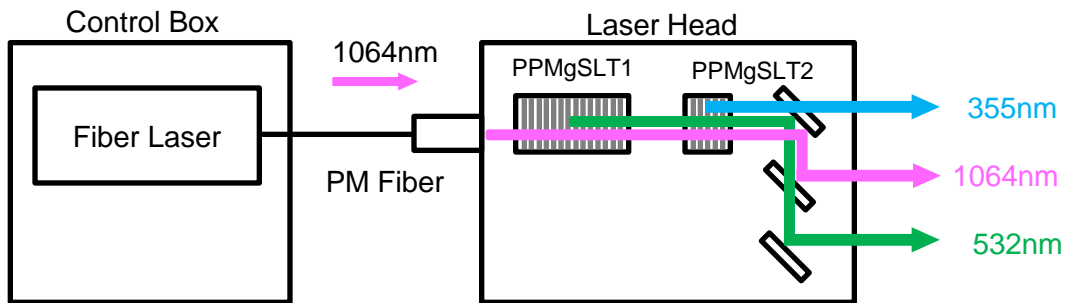


All-In-One

Features

- ✓ Small Footprint
- ✓ Cost Benefits
- ✓ Inspection for
 - Optical Components
 - Coating Quality
 - Particles on Substrate

Configuration



Specification

Wavelength	355nm (3 rd Harmonic) 532nm (2 nd Harmonic) 1064nm (Fundamental)
Output Power (Typical)	355nm : > 30 mW 532nm : > 500 mW 1064nm : > 4000mW
Spatial Mode	TEM 00 (for all bands)
Beam Diameter	φ2.6 +/- 0.3mm
Head Size	100(W) x 45(H) x 160(L)mm

Option

- Band Select Switch
- Customization, OEM
- Single Longitudinal Mode
- Other Wavelength

OXIDE

Oxide Corporation

1747-1 Makihara, Mukawa, Hokuto, Yamanashi 408-0302 JAPAN

Tel: +81-551-26-0022, Fax: +81-551-26-0033

Sales@opt-oxide.com, <http://www.opt-oxide.com>

Contents are things of 4-Sep-2013.