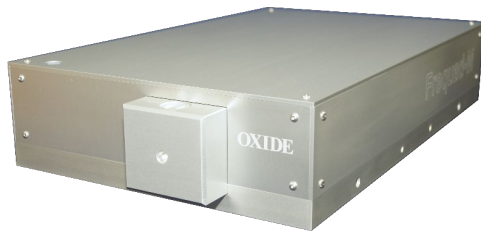


## Deep-UV single frequency laser

### Frequad-M CW266 nm



- High power
- High stability
- Low noise
- Long life
- Excellent beam quality

#### Application

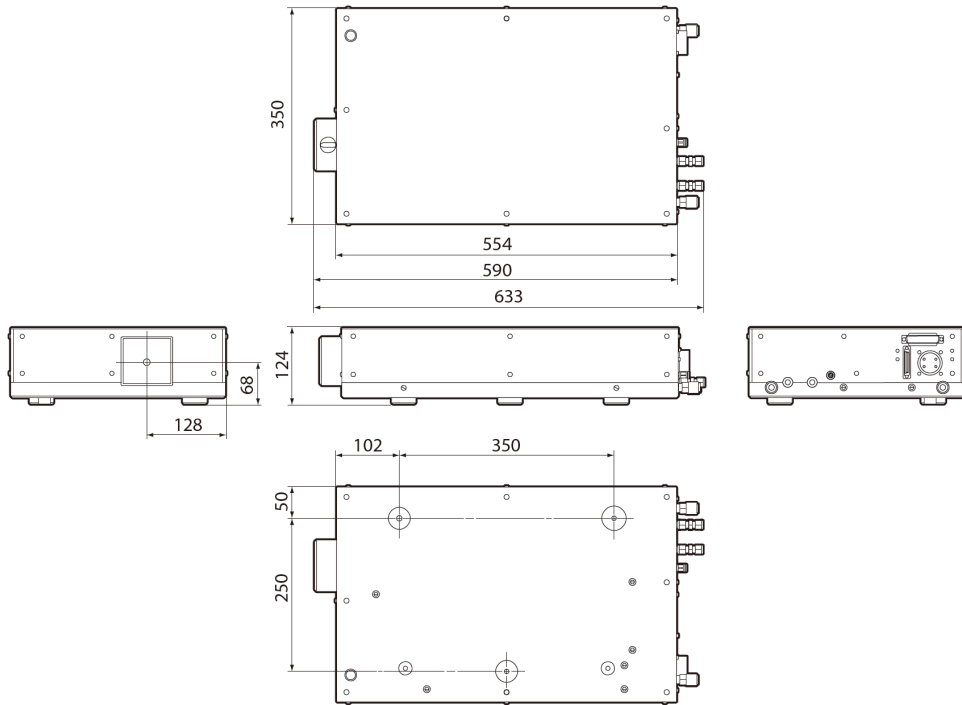
- Semiconductor wafer inspection
- Lithography photomask and reticle inspection
- Photomask direct writing
- UV spectroscopy
- FBG writing

Wavelength	266 nm
Output power	0.3 W, 0.5 W, 0.7 W, 1 W, 2W
Linewidth	< 0.005 pm
Extinction ratio	> 100 : 1
Beam quality	TEM <sub>00</sub> , M <sup>2</sup> < 1.2
Polarization	Vertical, Linear
Power supply	AC 100-240 V, 50/60 Hz
Power consumption	< 340 W
Cooling	Water
Dimensions (Head)	350 x 590 x 124 mm



## Frequad-M Dimensions

### Laser Head Unit



### Control Unit

